

Wiring Diagrams

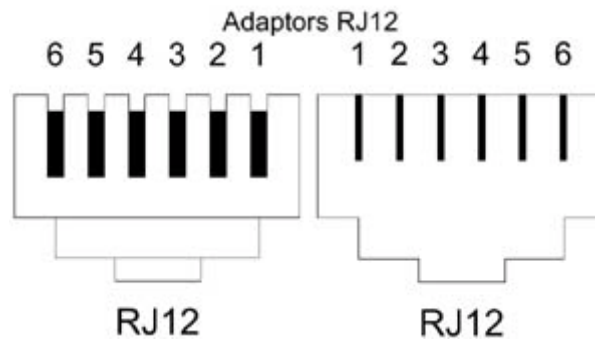
The following wiring diagrams show the pin connections for the various connector types used by Hobby Boards devices. Please consult your device description to see which connector type is used.

The colors shown correspond to the standard colors of Cat-5 network cable wires. The layout of our RJ45 connector follows the T568A network wiring standard.

RJ12 Wiring

This connector type is used by the Serial and USB adaptors.

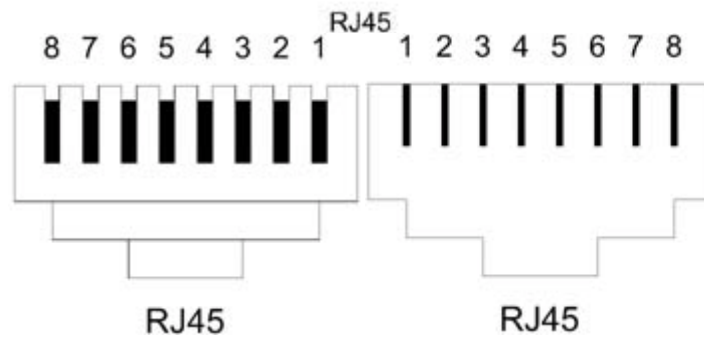
1	2	3	4	5	6
		Blue	White Blue		
Not Connected	Not Connected	1-Wire Data DQ	1-Wire Return GND	Not Connected	Not Connected



RJ45 Wiring

This connector type is used by most of our Hobby Boards devices.

1	2	3	4	5	6	7	8
White Green	Green	White Orange	Blue	White Blue	Orange	White Brown	Brown
Power Return GND	+5v DC Regulated +5v	Power Return GND	1-Wire Data DQ	1-Wire Return GND	Not Connected	+12v to +24v Unregulated	Power Return GND



RJ12 - Wind Instrument Only

The RJ12 jack on our Wind Instrument is wired slightly differently from our other RJ12 jacks. Note that if you make an adaptor cable wired according to our wiring diagram, you must remove the jumper from the Wind Instrument connector, or you will short out the circuit.

1	2	3	4	5	6
	Green	Blue	White Blue	Brown	
Not Connected	+5v DC Regulated +5v	1-Wire Data DQ	1-Wire Return GND	Power Return GND	Not Connected

Wind Instrument RJ12