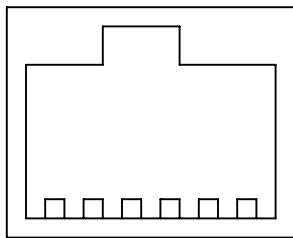


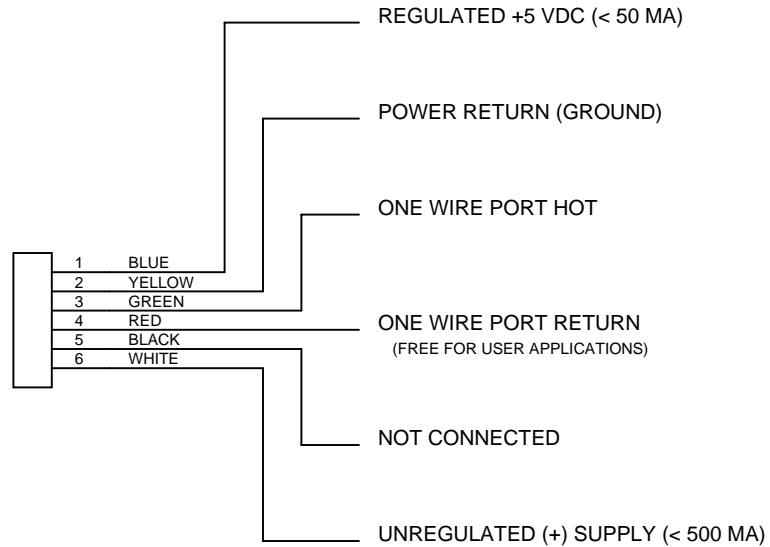
DALLAS ONE-WIRE RJ11/12/14 CONNECTOR STANDARD

PIN NUMBERING:



6 5 4 3 2 1
 WHT BLK RED GRN YEL BLU

LOOKING INTO RJ-11
 FEMALE CONNECTOR



STANDARD PIN USE:

REGULATED +5 VDC (< 50 MA)
 POWER RETURN (GROUND)
 ONE WIRE PORT HOT
 ONE WIRE PORT RETURN
 (FREE FOR USER APPLICATIONS)
 NOT CONNECTED
 UNREGULATED (+) SUPPLY (< 500 MA)

WARNING!

PIN NUMBERING AND WIRE COLORS VARIES BETWEEN MANUFACTURERS
 ALWAYS VERIFY PIN NUMBERING SCHEME AND WIRE COLORS

Notes:

1. All cables are USOC standard.
2. Do not put power on innermost four pins.

Title			DALLAS ONE-WIRE RJ-11		
Size	Number		Rev		
A	68-RJ110-001		A		
Date	Thu Oct 11 2001	Drawn by			
Filename	OWSTD.S01	Sheet		1 of 1	